



NEW OR-T 55



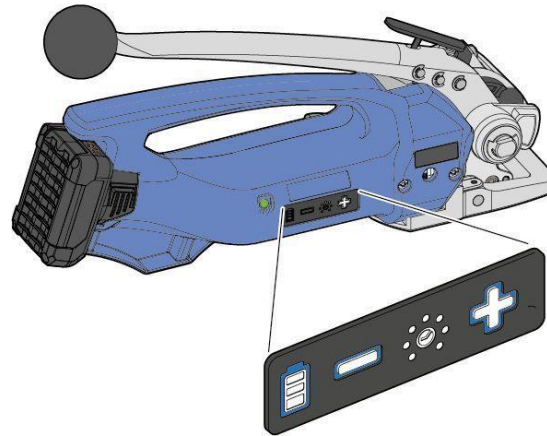
OR-T 55 APPLICATIONS



OR-T 55, NEW

Optical signals

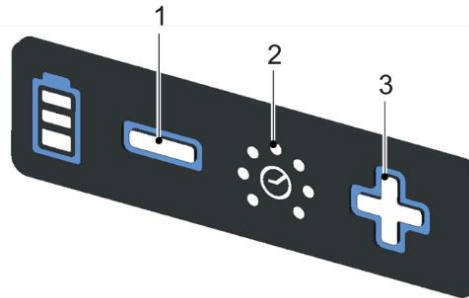
- ❖ Ready
- ❖ Welding process
- ❖ Error indication



Acoustic Beep signals

- 🔊 Welding completed

Battery level indication



Welding time adjustments

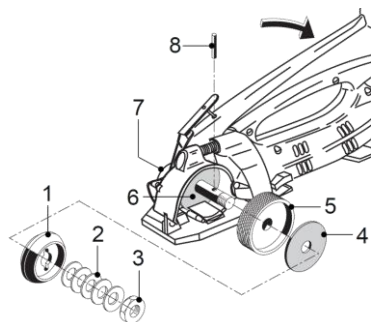
- 1 decrease welding time
- 2 welding time indicator
- 3 increase welding time



**Bosch 12V 6Ah
LiOn Akku &
Charger**

NEW OR-T 55 VERSUS OR-T 50

Compatibility of features and parts between new OR-T55 and OR-T 50



OR-T 55	OR-T 50
○ Battery	✗
○ Charger	✗
○ Electronic	✗
○ Display	✗
○ Housing	✗
✓ Motor	✓
✓ Wearing parts	✓
✓ All other parts	✓



TECHNICAL DATA COMPARISON

	OR-T 50	OR-T 55
Weight (incl. battery)	4 kg (8.8 lbs)	3.8 Kg (8.3lbs)
Tension force range	0 – 2300 N (510 lbs) adjustable friction coupling	0 – 2300 N (510 lbs) adjustable friction coupling
Battery type BOSCH	NiMH 12V, 2,6 Ah	Li-Ion 12V, 6,0 Ah
Charger	Bosch	Bosch
Charging time	60 min	72 min (80%) 95 min (100%)
Cycles per battery charge measured	159 cycles / charge	750 cycles / charge
Strap PET & PP	Width 9–19 mm 3/8–3/4"	Width 9–19 mm 3/8–3/4"
	Thickness 0.5–1.0 mm .019–.040"	Thickness 0.5–1.0 mm .019–.040"